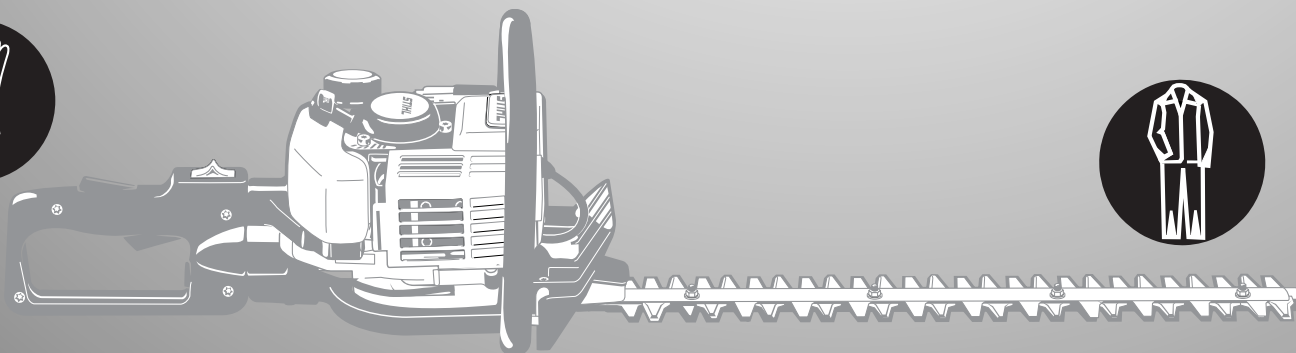


## Hedge Trimmer Safety Manual



# Contents

Safety Precautions .....	2
Using the Unit .....	6
Maintenance Chart .....	8
Parts and Controls .....	9

This manual contains the safety precautions and recommended cutting techniques outlined in STIHL hedge trimmer instruction manuals. Even if you are an experienced hedge trimmer user, it is in your own interests to familiarize yourself with the latest rules and regulations regarding safe use of your hedge trimmer.

Please note, that the illustrations in the chapter on "Main Parts of the Machine" show the HS 75 and HS 80.

Other hedge trimmer models may have different parts and controls.

This manual also contains references to various chapters in the instruction manuals of specific machines.

You should therefore always refer to the instruction manual of your particular hedge trimmer model.

Please contact your STIHL dealer if you have any further queries after reading this manual.



## Safety Precautions



Because a hedge trimmer is a high-speed, fast-cutting power tool some **special safety precautions** must be observed in addition to those that generally apply when working with hand tools.



It is important that you read and understand the owner's manual before using your hedge trimmer for the first time. Keep it in a safe place for later reference. Non-observance of the following safety precautions may cause serious or even fatal injury.

Always observe local safety regulations, standards and ordinances.

If you have never used this hedge trimmer model before: Have your STIHL dealer show you how to operate your hedge trimmer or attend a special course of training in hedge trimmer operation.

Minors should never be allowed to use a hedge trimmer.

Bystanders, especially children, and animals should not be allowed in the area where a hedge trimmer is in use.

The operator is responsible for avoiding injury to third parties and damage to their property.

Do not lend or rent your hedge trimmer without the owner's manual. Be sure that anyone using your hedge trimmer understands the information contained in this manual.

You must be in good physical condition and mental health and not under the influence of any substance (drugs, alcohol) which might impair vision, dexterity or judgment.

Use your hedge trimmer only for cutting hedges, shrubs, scrub and bushes. To reduce the risk of personal injury, do not use your power tool for any other purpose.

Only cutting blades supplied by STIHL or expressly approved by STIHL for use with your specific model. are authorized

Other cutting blades must not be used because of the increased risk of accidents.

**Never** attempt to **modify** your power tool in any way since this can be extremely dangerous and result in serious or fatal injury.

STIHL cannot accept any liability for personal injury or damage to property caused by modifications to the power tool or using cutting blades not approved by STIHL.

### Clothing and Equipment

Wear proper protective clothing and equipment.



Clothing must be sturdy and snug-fitting, but allow complete freedom of movement - a STIHL safety coverall is recommended.

Avoid loose-fitting jackets, scarfs, neckties, jewelry or anything that could become entangled with the wood or brush. Confine long hair (e.g. with a hair net).



Wear steel-toed **safety boots** with non-slip soles.



Wear **safety glasses** or **eye protection**.

Wear "**hearing protection**" (earplugs or earmuffs).



Wear **heavy-duty, non-slip gloves**, preferably made of chrome leather.

Wear an approved safety **hard hat** for work where there is a danger of head injuries.

### Transporting the Hedge Trimmer

Always shut off the engine. Always fit the scabbard over the blades – even for short distances.

Carry the unit by the front handle – hot muffler away from your body – the cutting blades must be behind you.

Transporting in a vehicle: Properly secure your unit to prevent turnover, fuel spillage and damage.

When the unit is not in use (work break), put it down so that it does not endanger others.

### Fueling

**Always shut off the engine before refueling.**



**Gasoline is an extremely flammable fuel.**

Do not smoke or bring any fire or flame near the fuel.

Do not fuel a hot engine - fuel may spill and cause a fire.

Remove the fuel filler cap on the unit carefully so as to allow any pressure build-up in the tank to release slowly.

Fuel your unit in well-ventilated areas, outdoors only. Wipe off any spilled fuel before starting and check for leakage. Take care not to get fuel on your clothing. If this happens, change immediately.



Unit vibrations can cause an improperly tightened fuel cap to loosen or come off and spill quantities of fuel. In order to reduce risk of fuel spillage and

fire, tighten fuel cap as firmly as possible.

Check for fuel leakage while refueling and during operation. If fuel leakage is found, do not start or run the engine until leak is fixed.

### Before Starting

Check that your power tool is properly assembled and in good condition – refer to appropriate chapters in the owner's manual:

- Check operation of blade lock (always engage the lock before starting).
- Stop switch must move easily.
- Check that spark plug boot is secure – a loose boot may cause arcing that could ignite combustible fumes and cause a fire.
- Smooth action of throttle trigger and throttle trigger interlock.
- Keep the handles dry and clean, free from oil and dirt, for safe control.
- Cutting blades must be secure and in safe operating condition (clean, move freely, not warped), properly sharpened and lubricated with STIHL resin solvent.
- Never attempt to modify the controls or safety devices.

To reduce the risk of accidents, never operate your power tool if it is damaged, improperly adjusted or not completely or securely assembled.

## Starting the Engine

Start the engine at least three meters from the fueling spot, outdoors only.

Place the unit on firm ground and maintain a good balance and secure footing.

Your power tool is a one-person unit. Do not allow other persons in the work area – even when starting.

Do not drop start the power tool. The correct starting procedure is described in your owner's manual.

Check idle speed: The cutting blades must not run when the engine is idling with the throttle trigger released.

To reduce the risk of fire, always keep the engine and muffler free from cuttings, wood splinters, leaves and excess lubricant.

## During Operation



### Warning!

Your power tool produces **toxic exhaust fumes** as soon as the engine is running. These fumes may be colorless and odorless. Never run the engine indoors or in poorly ventilated locations.

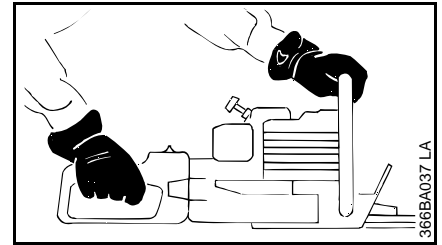
To reduce the risk of serious or fatal injury from breathing toxic fumes, ensure proper ventilation when working in trenches, hollows or other confined locations.



To reduce risk of fire, **do not smoke** while operating or standing near your power tool. Note that combustible fuel vapor may escape from the fuel system

Be particularly alert and cautious when wearing hearing protection because your ability to hear warnings (shouts, alarms, etc.) is restricted.

In the event of impending danger or in an emergency, switch off the engine immediately by moving the stop switch to **0**.



Always hold the power tool **firmly with both hands**. Wrap your fingers tightly round the front and rear handles.

Make sure you have a safe footing and hold the hedge trimmer so that the **cutting blades** are always **clear of your body**.

The cutting blades continue to run for a short period after you let go of the throttle trigger (flywheel effect).

Do not operate your hedge trimmer in the starting throttle position: The engine speed cannot be controlled in this position (throttle lock engaged).

Hold and operate your hedge trimmer in such a way that you do not breathe in exhaust fumes.

Work calmly and carefully – in daylight conditions and only when visibility is good. Stay alert at all times so as not to endanger others.

Take special care in slippery conditions – damp, on slopes, uneven ground, etc.

Watch out for hidden obstacles such as tree stumps and roots to avoid stumbling.

Before you start work, **examine the hedge area for stones, metal or other solid objects** which could damage the cutting blades.

When working close to the ground, make sure that **no sand, grit or stones** get between the blades.

If the blades become jammed, switch off the engine immediately before attempting to free the blades.

Take particular care when cutting hedges next to or against wire fences. Do not touch wire with the cutting blades.

**Never** work on a **ladder**, any other **insecure support**, do not work **above shoulder height**, **never** operate the machine **with one hand**.

## Vibrations

Prolonged use of the unit may result in vibration-induced circulation problems in the hands (whitefinger disease).

No general recommendation can be given for the length of usage because it depends on several factors.

The period of usage is prolonged by:

- Hand protection (wearing warm gloves)
- breaks

The period of usage is shortened by:

- Any personal tendency to suffer from poor circulation (symptoms: frequently cold fingers, itching).
- Low outside temperatures.
- Gripping force (a tight grip hinders circulation).

Continual and regular users should monitor closely the condition of their hands and fingers. If any of the above symptoms appear, seek medical advice.

## Maintenance and repairs

Keep your power tool in good condition. Do not attempt any maintenance or repair work not described in your owner's manual.

Have such work performed by your STIHL dealer. Always use original STIHL replacement parts.

Never modify a power tool in any way as this could result in serious injury.

Always **stop the engine** and disconnect the spark plug boot before doing any maintenance, repair or cleaning work on the machine.

Exception:  
Carburetor and idle adjustments.

Always clean dust and dirt off the machine after finishing work – do not use any grease solvents for this purpose.

Spray the blades with STIHL resin solvent. Start and run the engine briefly so that the solvent is evenly distributed.

If hedge is very dusty or dirty, spray the blades with resin solvent from time to time during cutting. This helps reduce blade friction as well as the aggressive effects of sap and the build-up of dirt particles.

## Using the Unit

Check fuel filler cap regularly for leaks.

Use only the spark plugs approved by STIHL (see Specifications).

To reduce the risk of fire due to ignition outside the cylinder, move the stop switch to **0** before turning the engine over on the starter with the spark plug boot removed or the spark plug unscrewed.

Do not touch a hot muffler.

Check condition of muffler periodically. To avoid risk of fire and hearing loss, do not operate your unit if the muffler is damaged or missing.

Store gasoline and oil in properly labelled, approved safety-type cans. Take care when handling gasoline. Avoid direct contact with the skin and avoid inhaling fuel vapour.

### Cutting season

Observe all country-specific and local regulations and ordinances regarding hedge trimming.



Do not use your hedge trimmer during other people's rest periods.

### Preparations



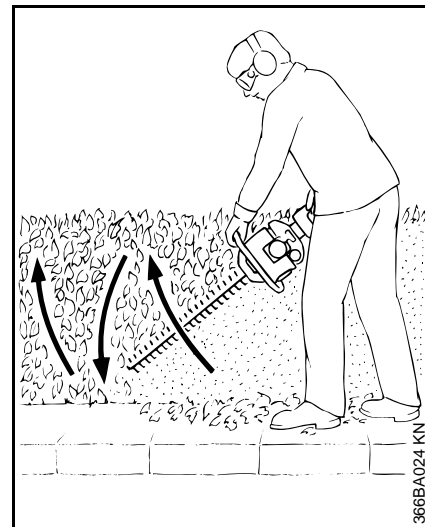
Before starting work, scare away small animals so that they cannot be injured.

Use lopping shears to cut out thick branches first.

### Cutting sequence

If a radical cut is necessary, cut a little at a time in several passes.

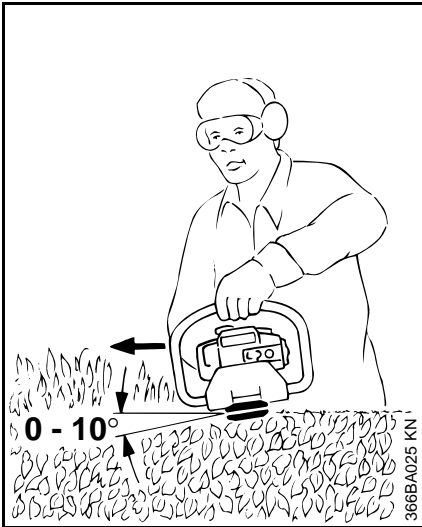
Cut both sides of the hedge first, then the top.



### Cutting techniques

Vertical cut:

Swing the cutting blade up and down in an arc as you move along the hedge - use both sides of the cutting blade.



**Horizontal cut:**

Hold the cutting blade at an angle of 0° to 10° as you swing the hedge trimmer horizontally.

Swing the blade in an arc towards the outside of the hedge so that the cuttings are swept on to the ground.



Do not throw cuttings in the rubbish bin (garbage can) - they can be composted!

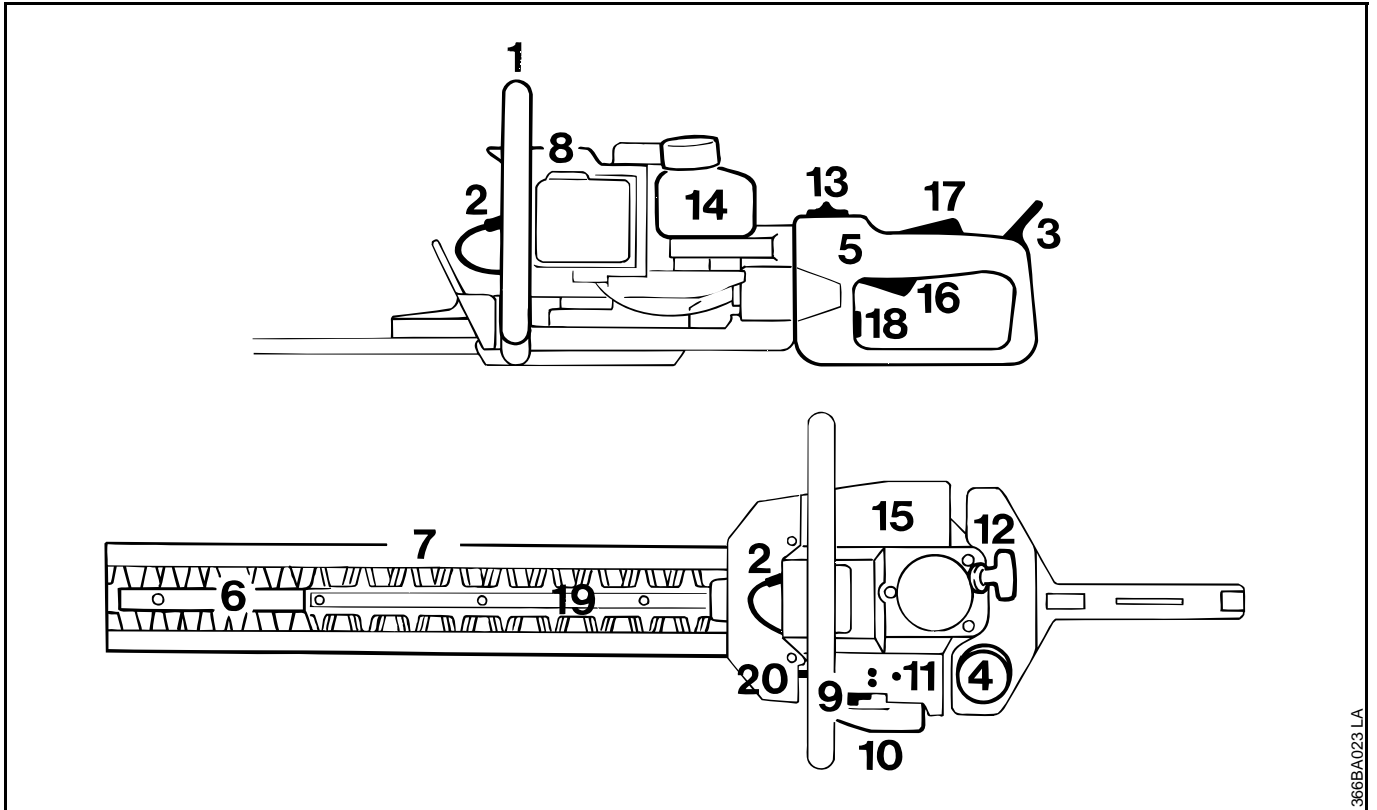


# Maintenance Chart

The following maintenance intervals apply to normal operating conditions only. If your daily working time is longer than normal or operating conditions are difficult (very dusty work area etc.), shorten the specified intervals accordingly.		before starting work	after finishing work or daily	after each refueling stop	weekly	monthly	every 12 months	if problem	if damaged	if required
Complete machine	Visual inspection (condition, leaks)	X		X						
	Clean		X							
Control handle	Check operation	X		X						
Air filter	Clean							X		X
	Replace								X	
Filter in fuel tank	Check*							X		
	Replace*						X		X	X
Fuel tank	Clean							X		X
Carburetor	Check idle setting	X		X						
	Readjust idle									X
Spark plug	Readjust electrode gap							X		
Cooling air intake	Visual inspection		X							
	Clean									X
Spark arresting screen in muffler	Check*								X	
	Clean* or replace*									X
All accessible screws and nuts (not adjusting screws)	Tighten									X
Cutting blades	Clean		X							
	Sharpen									X
Gear lubrication	Check									X
	Top up									X

\* STIHL Service

## Parts and Controls



- |                   |                                |                               |
|-------------------|--------------------------------|-------------------------------|
| 1 Front Handle    | 7 Cutting Blade Scabbard       | 14 Fuel Tank                  |
| 2 Spark Plug Boot | 8 Shroud                       | 15 Muffler                    |
| 3 Blade Lock      | 9 Choke Lever                  | 16 Throttle Trigger           |
| 4 Fuel Filler Cap | 10 Filter Housing              | 17 Throttle Trigger Interlock |
| 5 Rear Handle     | 11 Carburetor Adjusting Screws | 18 Twist Lock (HS 80 only)    |
| 6 Cutting Blades  | 12 Starter Grip                | 19 Cutting Blade Guard        |
|                   | 13 Slide Control               | 20 Fuel Pump                  |







**0457 189 0121**

**englisch / English**